

### PIR Human Motion Sensor

The all-seeing eyes that guard your home



Infrared Sensor



Smart Linkage



Abnormal Situation Alarm



Rotatable



Tool-Free Installation



### Mini with Useful Functions

#### Kitchen

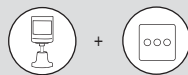
Auto-Control



Smart Motion Sensor + Smart ON/OFF Switch

#### Bedroom

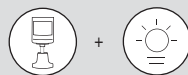
Energy Consumption Management



Smart Motion Sensor + Smart ON/OFF Switch

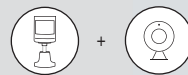
#### Corridor

Night Illumination



Smart Motion Sensor + Light

#### Car Porch Area Security System

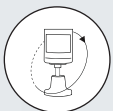


Smart Motion Sensor + CCTV Camera

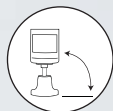
\* Smart Gateway is required

### Miniature Devices & Easy Install

- Covert intallation with ping-pong ball size
- Comes with 360° rotation mounting
- Installation position depends on home environment (stow level, inverted & keep upright)



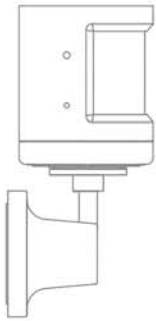
360° Horizontal Rotation



90° Verticle Rotation



When senses the human motion within detecting range the movements data will uploading into the cloud via Smart Gateway all movements data in hand wherever you are by receiving movements alert notification in real time via APP



### Movements Alert Notification

Knowing Home Movement Remotely

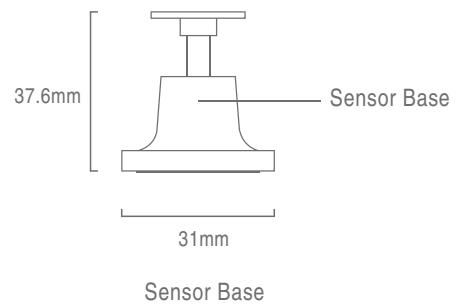
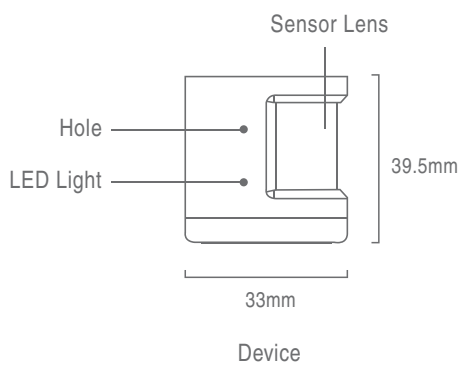
### Low-Power-Consumption Design

New Battery Last for more than 1-Year Usage

- Low-power-consumption passive sensor & equipped with button cell battery.
- Battery can be used continuously for more than 365 days.
- Low-power alert notification setting via APP for battery replacement reminder



## Products Parameters



Product name: S2U - Smart Motion Sensor

Wireless frequency: 2.4GHz

Product dimensions: 33\*39.5\*37.6mm

Detect distance: < & = 7m

Net weight: 0.0325KG

Detect Angle: 170°

Battery type: 3V CR2450

Detection: 10-30m (indoor); 30-50m (outdoor)

Communication method: Zigbee

App requirement: Andriod 4.0 & above; iOS 7.0 & above

\* Picture shown is for illustration purpose only.