

Smart Temperature Sensor

All Seasons Weather/Climate Perceptions

- Real-time Monitoring
- Exception Reminder
- Smart Linkage
- Low Battery Reminder



Zigbee
Communication
Module



Low Power
Consumption



Low Battery
Reminder



Smart Linkage



Tool-Free
Installation

* Smart Gateway is required

Real-time Temperature Monitoring In control of Environment Climate Conditions

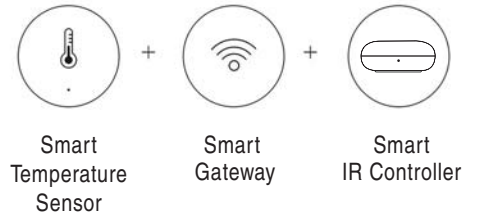
- High sensitivity sensor
- Accurate perception of changes in ambient temperature & humidity
- Check the real-time data through APP
- View the history record of last 6 months





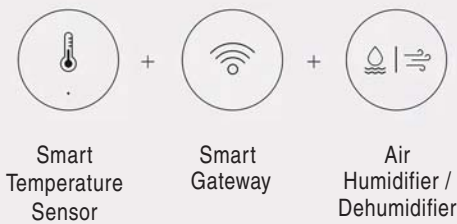
Automatic Temperature Adjustment Smart Scenario setting via APP

Hot / Cold Weather scenario = Air Conditioner Auto-Cooling / Auto-Heating

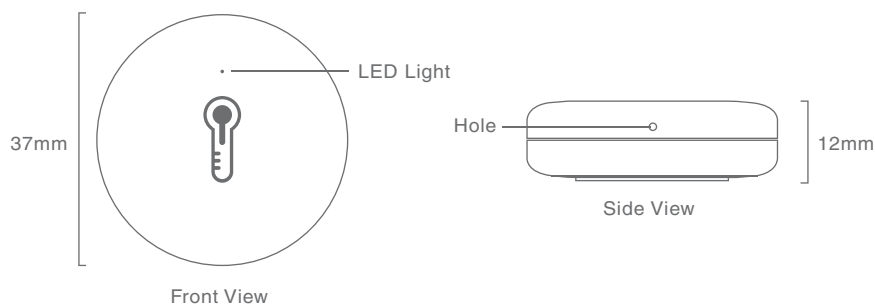


Automatic Humidity Adjustment Smart Scenario setting via APP

Moist/Dry Air scenario = Air Humidifier/Dehumidifier Auto-Turn-On



Products Parameters



Product name: S2U - Smart Temperature Sensor

Detecting range: ambient temperature & humidity

Product size: 37*37*12mm

Electric currents: average 5 mA (Zigbee)

Net weight: 12g

Stand-by currents: <3uA

Battery type: CR2032

Battery life: 12 months and above (calculate in 210mAh battery)

Network Wi-Fi: 2.4GHz

Installation: paste method

Voltage: 2.4V-3.3V

Transmission distance: 10-30m for indoor; 30-50m for outdoor

* Picture shown is for illustration purpose only.